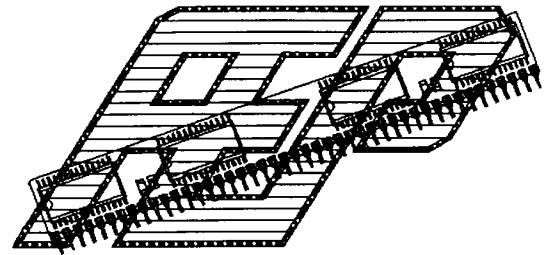


- >> 131,072 x 16 Organization
- >> High speed address/chip select time
- >> High speed, High density 45 pin SIP
- >> Completely Static operation
- >> TTL compatible
- >> Low power, battery back-up operation capability
- >> Uses single +5V power supply



**128 KILOBYTES STATIC
 RAM MODULE**

DESCRIPTION:

The AEPSS128K16 is a high density 128 Kilo-word by 16 bit static random access memory module in a 45 pin single-in-line-package format. Physically it consists of an FR4 PC material substrate mounted with eight 32K x 8 SOP (small outline package) ICs or SOJ (J-leaded) ICs, four 0.1 microfarad decoupling capacitors, and 45 edge-clip I/O pins.

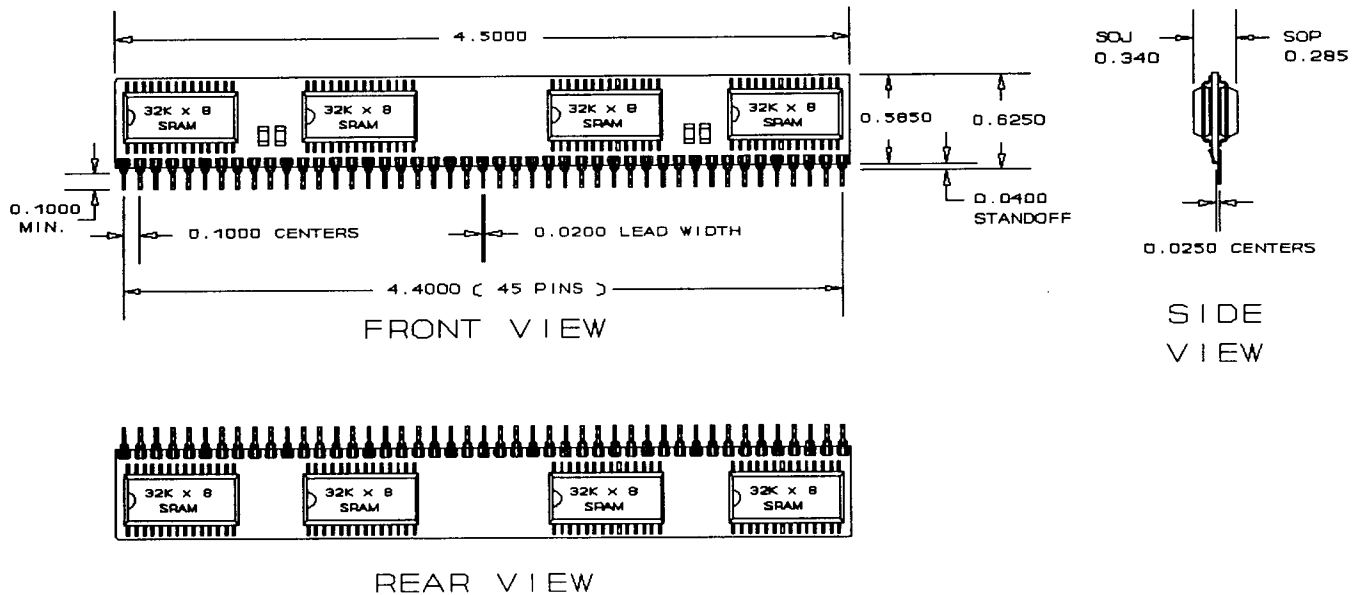
The module can use any of the 32K x 8 SRAMs made by any of a large number of manufacturers in both Mix-MOS and CMOS technologies in SOJ or SOP pin format.

Performance specifications and electrical characteristics are determined by the IC devices used. A typical memory component module will draw 2mA (max.) in standby and 70mA (max.) during access. These items can vary according to the type and manufacturer of the components. The necessary information is obtained from the IC vendors data sheets which are included here, or from data books.

Mechanical dimensions are 0.625 in. high by 4.50 in. long by 0.340 in. wide. The module is available with vertical lead pins. This module is also available in AEPSS64K x 8 SRAM format (single side), and AEPSS128K16-FCT139 format.

**SPECIFICATION DRAWING
 128Kx16 SRAM**

DIMENSIONS IN INCHES, TOLERANCE: +/- 0.010 UNLESS SPECIFIED.

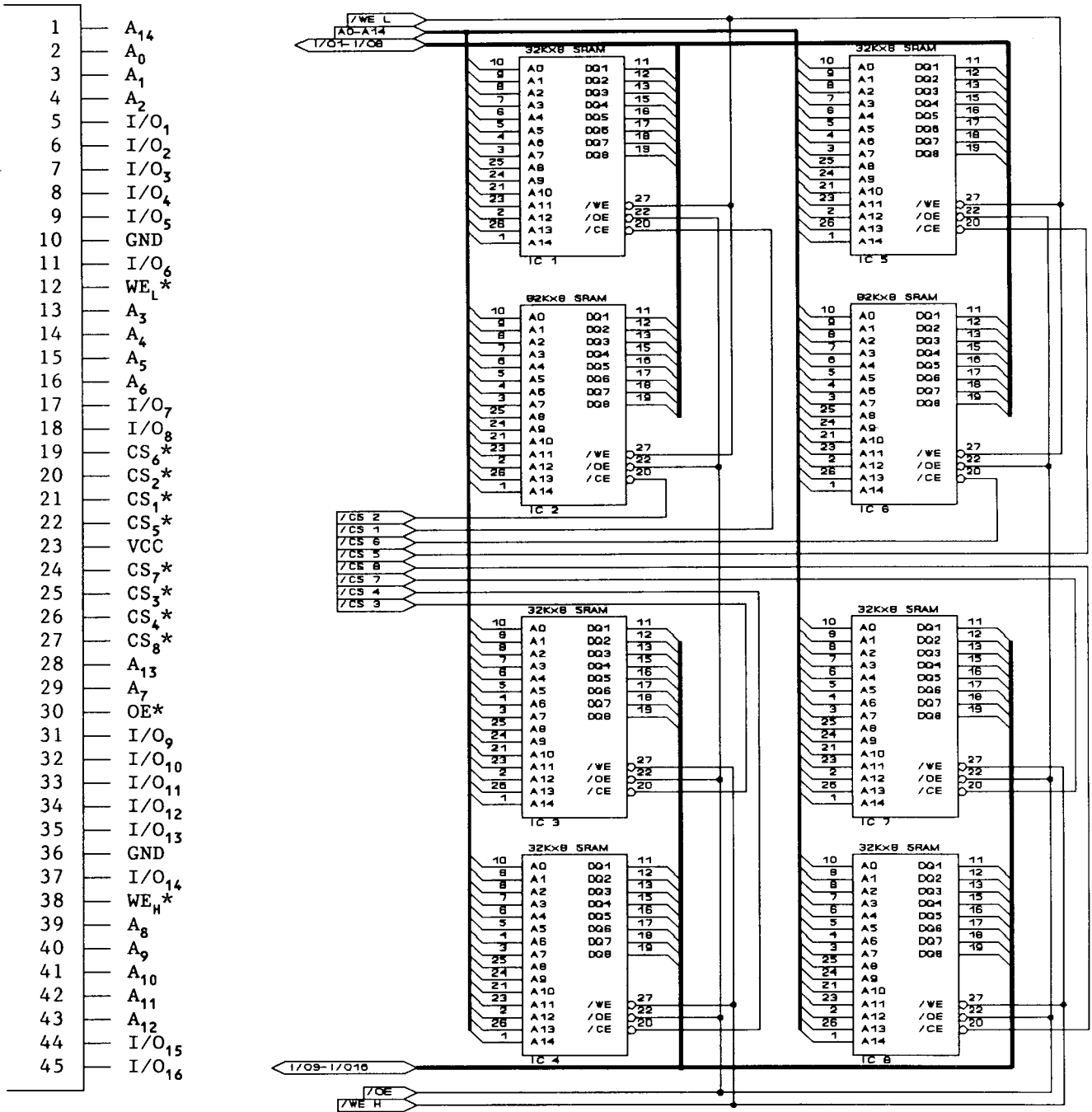


ADVANCED ELECTRONIC PACKAGING

128K x 16 USING CHIP SELECT STATIC RAM MODULE

SIP PIN CONFIGURATION (TOP VIEW)

FUNCTIONAL DIAGRAM



* ACTIVE WHEN LOW



ADVANCED ELECTRONIC PACKAGING